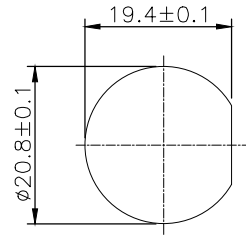
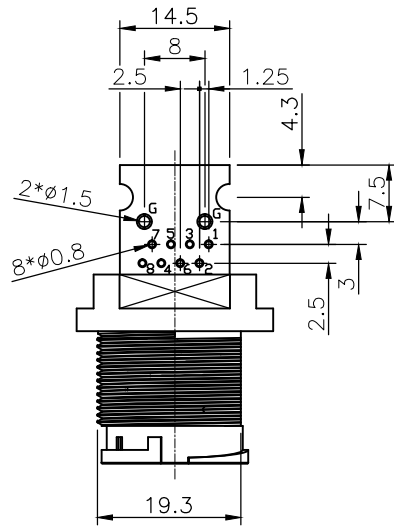
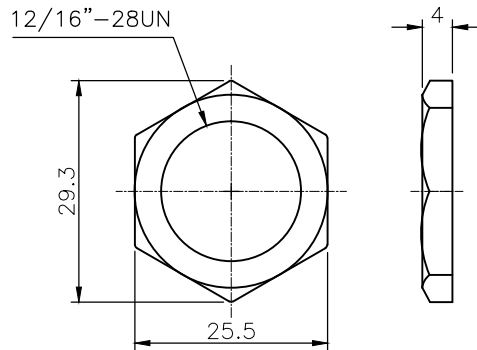
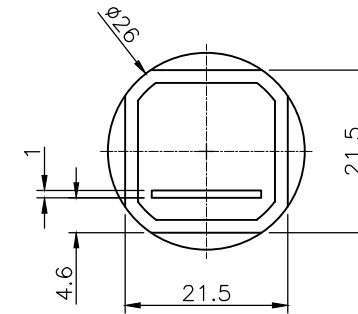
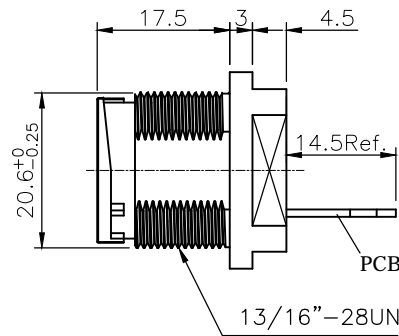
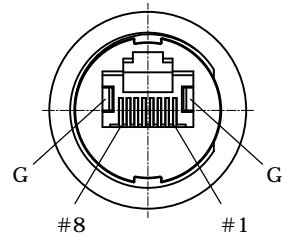


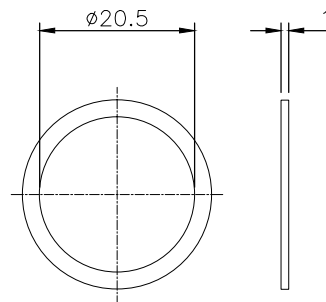
REV.	DESCRIPTION	DRAWN	DATE
1	INITIAL RELEASE	FROS	2020/10/05



Recommended Panel Cut



Hex Nut




Gasket

Notes:

1. Water proof IP67
2. Current Rating: 1.5A
3. Voltage Rating: 125V AC
4. Operation Temperature: -40°C to +85°C

7	PCB	FR4
6	NUT	PA66, UL94V-0, Black
5	GASKET	Silicon, gray black
4	GROUND	Stainless steel, nickel plating
3	SHELL	PA66, UL94V-0, Black
2	CONTACT	Phosphor Bronze, gold flash over nickel plating
1	HOUSING	PBT, UL94V-0, Black

NO.		PART NAME		DESCRIPTION		
UNLESS OTHERWISE SPECIFIED TOLERANCE						
UNIT:	DECIMAL	LINEAR	ANGLES	 www.attend.com.tw		
	mm	X.	±0.50			±5°
		X.X	±0.25			±3°
		X.XX	±0.12	±1°		
DRAWN	Fros	2020/10/05	DRAWN NAME:			
CHECKED	Tim	2020/10/05	RJ45 8P8C Waterproof Socket, Lock Type, w/PCB DIP holes			
APPROVED	Ken	2020/10/05	PRODUCT NO.	222A-03004		
SCALE	1/1	SHEET	1/1	SIZE	A4	
FILE NAME		222A-03004_B_1				