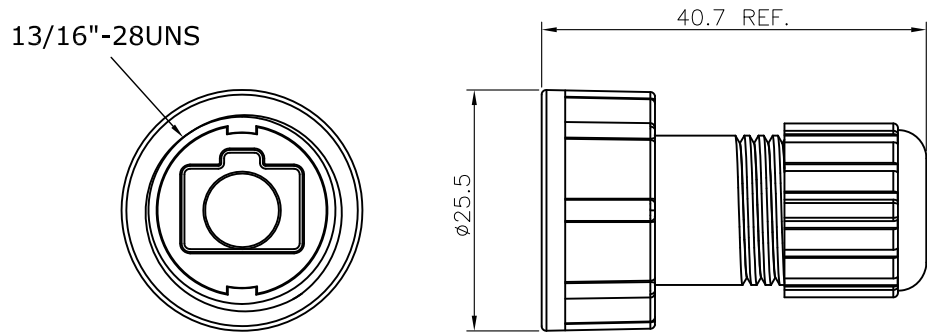
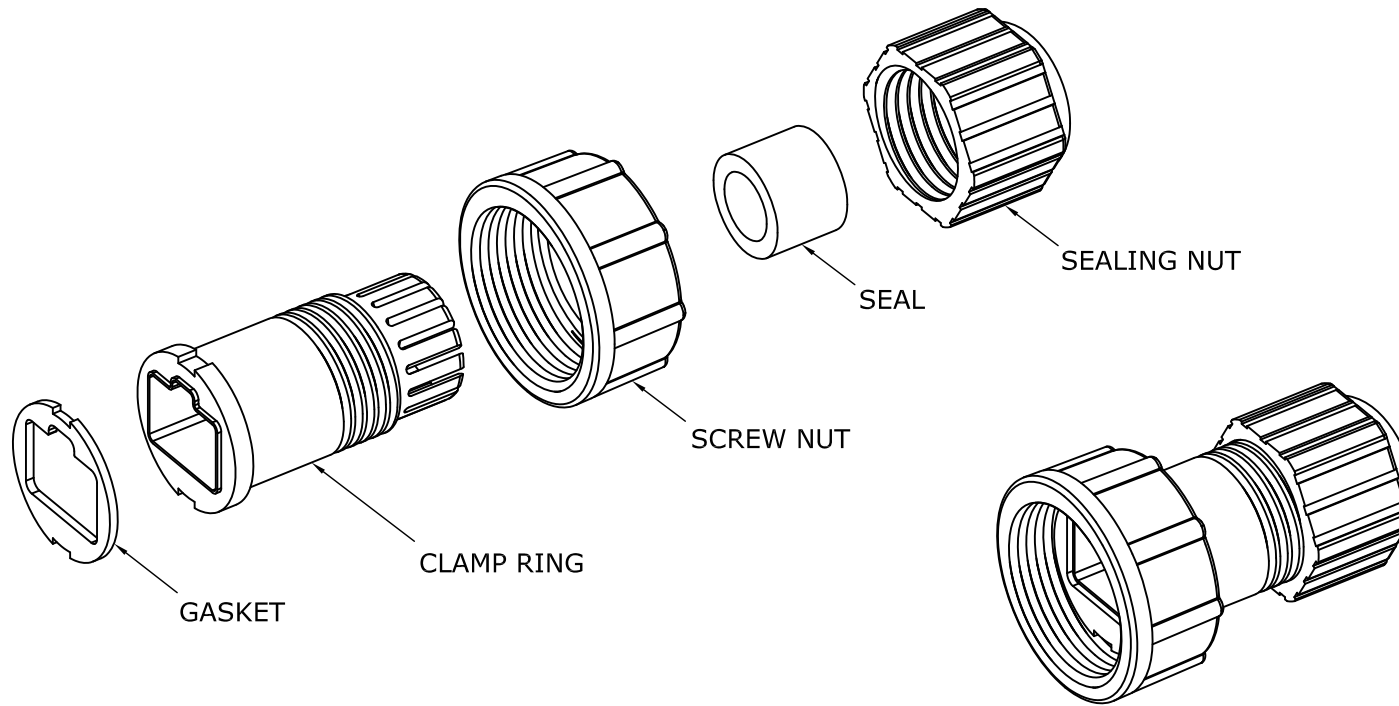


REV.	DESCRIPTION	DRAWN	DATE
1	INITIAL RELEASE	TIM	2019/01/21



5	SEALING NUT	PA66			
4	SEAL	Silicone			
3	SCREW NUT	PA66			
2	CLAMP RING	PA66			
1	GASKET	Silicone			
NO.	PART NAME	DESCRIPTION			
UNLESS OTHERWISE SPECIFIED TOLERANCE					
UNIT:	DECIMAL	LINEAR	ANGLES		
	mm	X, ±0.50	±5°		
		X,X ±0.25	±3°		
		X,XX ±0.12	±1°		
DRAWN	Tim	2019/01/21	DRAWN NAME: RJ45 Waterproof Accessory For Field Installable		
CHECKED	Fros	2019/01/21			
APPROVED	Ken	2019/01/21			
	SCALE	SHEET	SIZE	FILE NAME	PRODUCT NO.
	1:25	1/1	A4	222A-03003_B_1	222A-03003



WWW.ATTEND.COM.TW