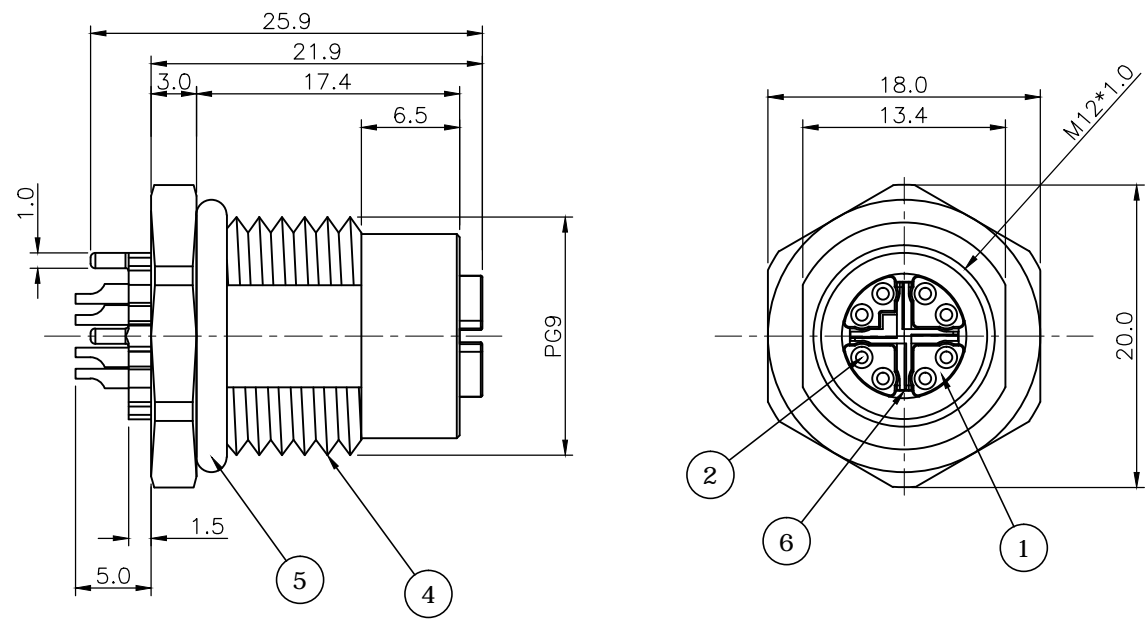
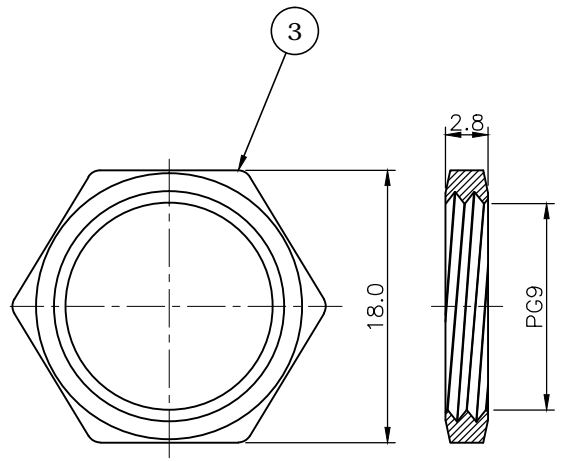


| REV. | DESCRIPTION | DRAWN | DATE |
|------|-----------------|-------|------------|
| 1 | INITIAL RELEASE | FROS | 2015/08/17 |
| 2 | CORRECTED | TIM | 2017/05/09 |

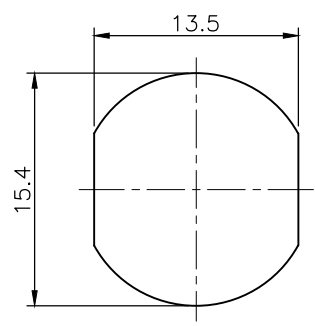


SPECIFICATION:

- 1. Current Rating: 0.5A
- 2. Voltage Rating: 48V AC/DC
- 3. Water proof: IPX7
- 4. Operation Temperature: -40°C TO 85°C



NUT



RECOMMEND PANEL CUT OUT

| 6 | X-SHELL | ZINC ALLOY, NICKEL PLATED |
|-----|-----------|--------------------------------------|
| 5 | O-RING | EPDM |
| 4 | SHELL | BRASS, NICKEL PLATED |
| 3 | NUT | BRASS, NICKEL PLATED |
| 2 | CONTACT | BRASS, 10u" GOLD UNDER NICKEL PLATED |
| 1 | HOUSING | PA66 UL94V-0, BLACK |
| NO. | PART NAME | DESCRIPTION |

△2

UNLESS OTHERWISE SPECIFIED TOLERANCE

| UNIT: | DECIMAL | LINEAR | ANGLES |
|-------|---------|--------|--------|
| mm | X. | ±0.50 | ±5° |
| | X.X | ±0.25 | ±3° |
| | X.XX | ±0.12 | ±1° |



WWW.ATTEND.COM.TW

| | | | | | |
|----------|------|------------|-------------|--|------------|
| DRAWN | Fros | 2015/08/17 | DRAWN NAME: | Water Proof M12 8Pin Socket, X-Code Front Fastened, 10u" Wire Type | |
| CHECKED | Zola | 2015/08/17 | PRODUCT NO. | | 216X-08FAF |
| APPROVED | Ken | 2015/08/17 | FILE NAME | 216X-08FAF_B_2 | |
| SCALE | 2/1 | SHEET | 1/1 | SIZE | A4 |