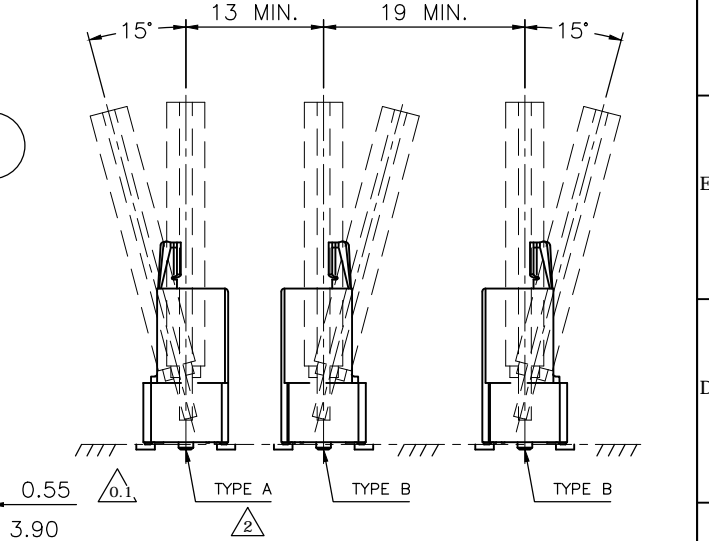


REV.	DESCRIPTION	DRAWN	DATE
2	Revised printing, misspelt word corrected.	FROS	2016/01/18
3	Revised layout 9.35 was 8.60	FROS	2016/05/30
4	Revised Peg & Mylar dims.	FROS	2016/07/25

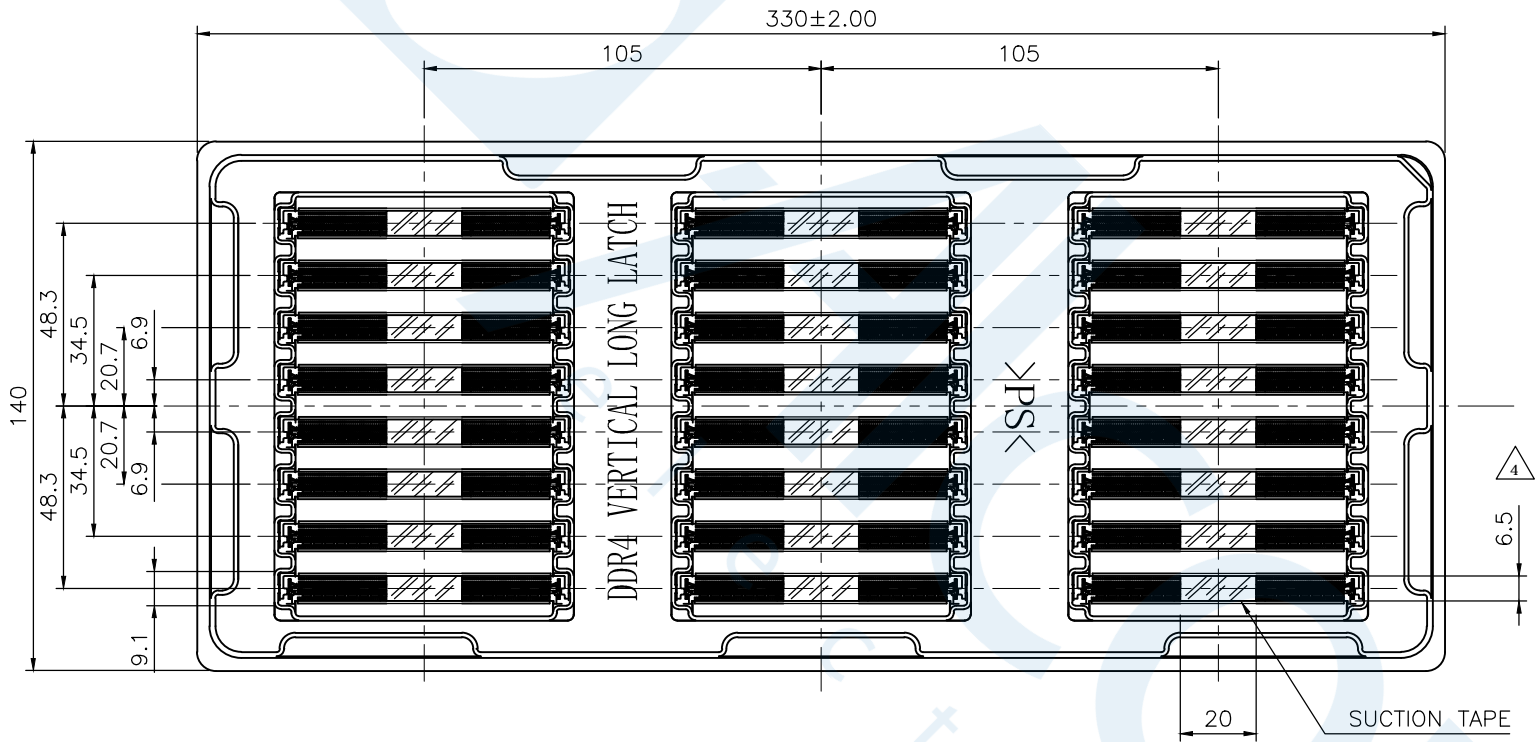
PRINT: 1.2V TYPE B 5093 150H ATTEND

OPERATING VOLTAGE DATE CODE: 5093 (YWWD)
 Y : YEAR (2015)
 WW: WEEK (01-52)
 D : DAY (1-7)

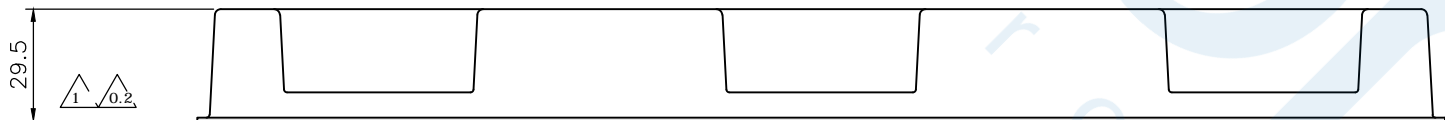


3	LATCH	STAINLESS STEEL	
2	CONTACT	PHOSPHOR BRONZE, GOLD FLASH	
1	HOUSING	LCP, UL94V-0, BLACK	
NO.	PART NAME	DESCRIPTION	
UNLESS OTHERWISE SPECIFIED TOLERANCE			
UNIT:	DECIMAL	LINEAR	ANGLES
	X.	±0.50	±5°
	X.X	±0.25	±3°
mm	X.XX	±0.12	±1°
WWW.ATTEND.COM.TW			
DRAWN	Fros	2015/02/16	DRAWN NAME: DDR4 VERTICAL SOCKET TYPE B FOR 260P DDR SO DIMM
CHECKED	Ron	2015/02/16	
APPROVED	Albert	2015/02/16	PRODUCT NO. 124B-150A10
SCALE	1.4	SHEET	1/2
		SIZE	A4
FILE NAME	124B-150A10_B_4		

REV.	DESCRIPTION	DRAWN	DATE
	SEE SHEET ONE		



NOTE:
 8X3= 24 PCS / TRAY
 4 TRAY / INNER BOX
 3 INNER BOX/ CARTON
 24X4X3= 288 PCS/ CARTON



UNLESS OTHERWISE SPECIFIED TOLERANCE			
UNIT:	DECIMAL	LINEAR	ANGLES
mm	X.	±0.50	±5°
	X.X	±0.25	±3°
	X.XX	±0.12	±1°



WWW.ATTEND.COM.TW	
DRAWN NAME: DDR4 VERTICAL SOCKET TYPE B FOR 260P DDR SO DIMM	
PRODUCT NO.	124B-150A10
FILE NAME	124B-150A10_B_4

DRAWN	Fros	2015/02/16
CHECKED	Ron	2015/02/16
APPROVED	Albert	2015/02/16
SCALE	1/2	
SHEET	2/2	
SIZE	A4	